



JETRUS

JET в России

JDP-15LM
JDP-15LT

Drill Press

JRM215LM

~230V 50Hz

JRM215LT

3~400V 50Hz

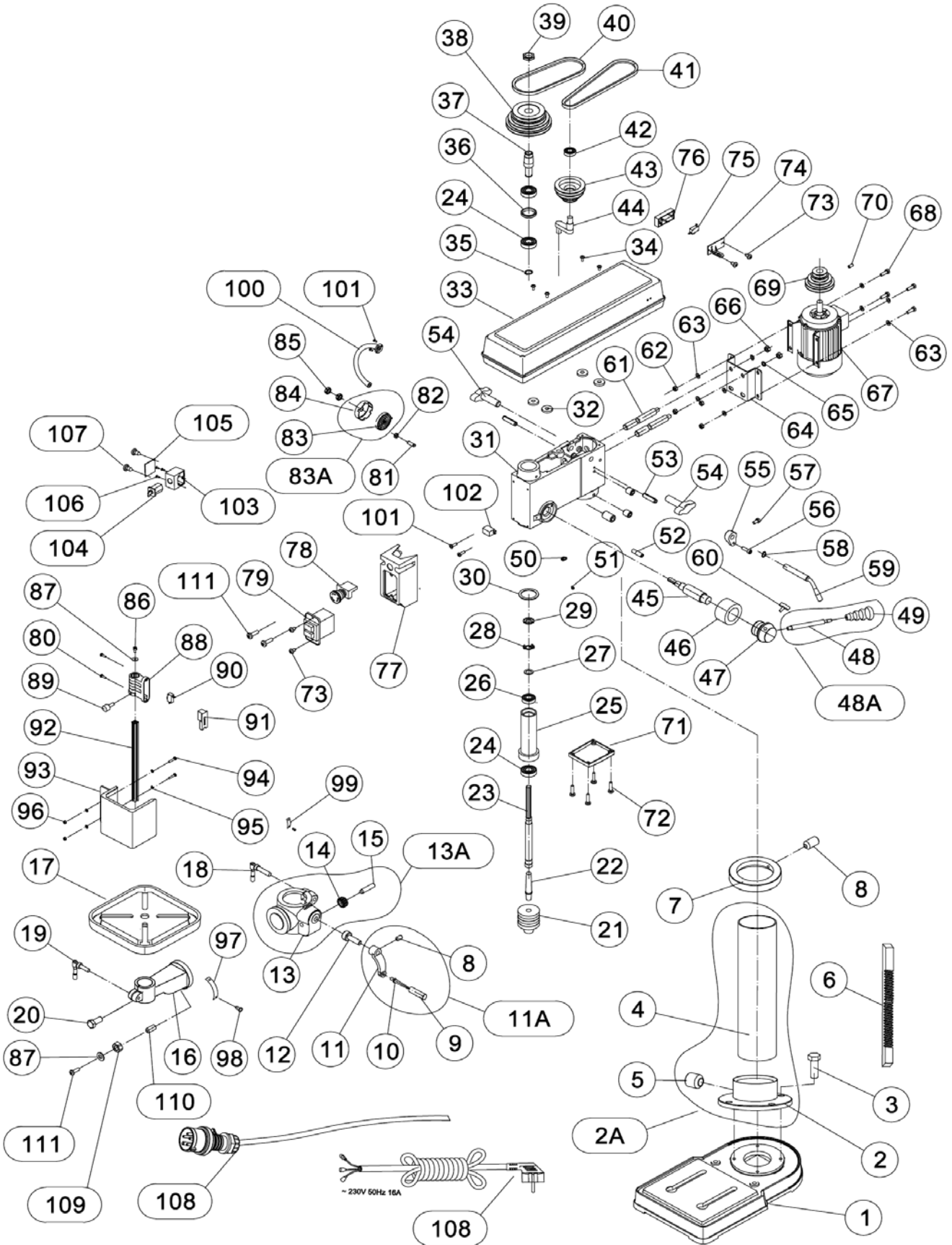
PARTS LIST



Импортер в РФ: ООО «ИТА Технолоджи»
105082, Москва, Переведеновский пер., д. 17
www.jettools.ru
Made in PRC / Сделано в КНР

P-JRM215LM & JRM215LT 2025-09

Parts Breakdown for JDP-15LM & JDP-15LT Drill Press



Parts List for JDP-15LM & JDP-15LT Drill Press

Index No.	Part No.	Description	Size	Qty
1	JDP15-001	Base		1
2A	JDP15-002A	Column Base Assembly (#2,#4,#5)		1
2	JDP15-002	Column Base		1
3	GB5781	Hex Cap Screw	M10X35	4
4	JDP15-004	Column		1
5	GB80	Socket Setting Screws	M10X12	3
6	JDP15-006	Rack		1
7	JDP15-007	Rack Collar		1
8	GB80	Socket Setting Screws	M6x10	4
9	JDP15-009	Crank Arm Handle Grip		1
10	JDP15-010	Crank Arm Handle Shaft		1
11A	JDP15-011A	Crank Arm Shaft Assembly (Thru#8--#11)		1
11	JDP15-011	Crank Arm Shaft		1
12	JDP15-012	Worm Shaft		1
13A	JDP15-013A	Table Support Assembly		1
13	JDP15-013	Table Support		1
14	JDP15-014	Helical Gear		1
15	JDP15-015	Gear Pin		1
16	JDP15-016	Table Bracket		1
17	JDP15-017	Table		1
18	JDP15-018	Column Lock Handle		1
19	JDP15-019	Table Lock Handle		1
20	GB5781	Hex Cap Screw	M16X35	1
21	JDP15-021	Keyness Chuck	1-16 B16	1
22	JDP15-022	Arbor	B16-MT2	1
23	JDP15-023	Spindle		1
24	GB276	Bearing		3
25	JDP15-025	Quill	6204-2RS	1
26	GB276	Bearing	6203-2RS	1
27	JDP15-027	Washer		1
28	JDP15-028	Lock Washer		1
29	JDP15-029	Locking Nut		1
30	JDP15-030	Washer		1
31	JDP15-031M	Headstock for 230V		1
	JDP15-031T	Headstock for 400V		1
32	JDP15-032	Foam Pad		4
33	JDP15-033	Pulley Cover Assembly		1
34	GB9074.1	Screw Assembly	M6X12	4
35	GB894.1	C-Clip For Shaft	20mm	1
36	JDP15-036	Bearing Spacer		1
37	JDP15-037	Splined		1
38	JDP15-038	Spindle Pulley		1
39	JDP15-039	Left-Handed Nut		1
40	JDP15-040	V-Belt (M24)	M24	1
41	JDP15-041	V-Belt (M26)	M26	1
42	GB276	Bearing		1
43	JDP15-043	Center Pulley	6202-2RS	1
44	JDP15-044	Center Pulley Shaft		1
45	JDP15-045	Gear Shaft		1
46	JDP15-046	Collar Depth Stop W/Scale		1
47	JDP15-047	Hub		1
48A	JDP15-048A	Handle Assembly (#48,#49)		1
48	JDP15-048	Handle		3
49	JDP15-049	Ball Knob		3

Parts List for JDP-15LM & JDP-15LT Drill Press

Index No.	Part No.	Description	Size	Qty
50	JDP15-050	Pointer		1
51	GB818	Cross Pan Head Screw	M4x8	1
52	JDP15-051	Stop Screw		1
53	GB879	Pin	6x26	2
54	JDP15-054	Locking Button		2
55	JDP15-055	Shift Fork		1
56	GB70.1	Hexagon Socket Cap Screws	M6x12	1
57	GB5781	Hexagon Bolt	M8x16	1
58	GB894.1	C-Clip For Shaft	15mm	1
59	JDP15-059	Handle Shifter		1
60	JDP15-060	Lock Knob		1
61	JDP15-061	Motor Rod		2
62	GB6170	Hex Nut	M8	4
63	GB97.1	Flat Washer	8mm	8
64	JDP15-064	Motor Base		1
65	GB93	Spring Washer	12mm	2
66	GB6170B	Hex Nut	M12	2
67	JDP15-067M	Motor ~230V 50Hz P2=400W		1
	JDP15-067T	Motor 3~400V 50Hz P2=370W		1
68	GB5781	Hex Cap Screw	M8x25	4
69	JDP15-069	Motor Pulley		1
70	GB80	Socket Setting Screws	M8x16	1
71	JDP15-071	Headstock Cover		1
72	GB818	Cross Pan Head Screw	M4x16	4
73	GB845	Self-Tapping Screw	ST4.2X9.5	4
74	JDP15-074	Micro Switch Cover		1
75	JDP15-075	Micro Switch		1
76	JDP15-076	Micro Switch Cover		1
77	JDP15-077M	Switch Box-230V	230V	1
	JDP15-077T	Switch Box-400V	400V	1
78	JDP15-078M	Emergency Stop Switch(230V Only)		1
	JDP15-078T	Emergency Stop Switch(400V Only)		1
79	JDP15-079M	Electromagnetic Switch(230V Only)		1
	JDP15-079T	Electromagnetic Switch(400V Only)		1
80	GB973	Cross Recessed Oval Head Screw		6
81	JDP15-081	Anti-Rotation Screws	M5X16	1
82	JDP15-082	Stop Nut		1
83A	JDP15-083A	Coil Spring Assembly		1
83	JDP15-083	Coil Spring		1
84	JDP15-084	Spring Cap		1
85	JDP15-085	Spring Cap Nut		2
86	GB70.1	Hexagon Socket Cap Screws	M6X10	1
87	GB96	Washer(Big)	6mm	1
88	JDP15-088	Micro Switch Base		1
89	JDP15-089	Lock Knob		1
90	JDP15-090	Micro Switch		1
91	JDP15-091	Micro Switch Cover		1
92	JDP15-092	Chuck Guard Rod		1
93	JDP15-093	Chuck Guard		1
94	GB818	Cross Pan Head Screw	M5X25	2
95	GB97.1	Washer	5mm	4
96	GB889	Self-Locking Nut	M5	2
97	JDP15-097	Table Support Scale		1
98	JDP15-098	Blind Rivet		4
99	JDP15-099	Zero Placard		1

Parts List for JDP-15LM & JDP-15LT Drill Press

Index No.	Part No.	Description	Size	Qty
100	JDP15-100	LED		1
101	GB818	Cross Pan Head Screw	M3x14	4
102	JDP15-102	Transformer AC85-265V-DC3.5V 600ma		1
103	JDP15-103	Switch Box		1
104	JDP15-104	Select Switch(400V Only)		1
105	JDP15-105	Switch Box Cover(400V Only)		1
106	GB6170	Hex Nut (400V Only)	M4	3
107	GB845	Self-Tapping Screw(400V Only)	ST4.2x9.5	2
108	JDP15-108M	Power Cord 230V		1
	JDP15-108T	Five-Pin Plug P551 & Power Cord 5G0.75mm ²		1
109	GB41	Hex Nut	M6	1
110	JDP15-110	Set Screw		1
111	GB818	Pan Head Cap Screw	M5x12	3
	JDP15LT-ID	JETRUS ID Label (Not shown)		1
	JDP15LM -ML	JETRUS Motor Label (Not shown)		1
	JDP15LT-ML	JETRUS Motor Label (Not shown)		1
	JETRUS-LOGO	JETRUS -M120 (Not shown)	120x42mm	1
	JDP15 -WR	Warning Label (Not shown)		1

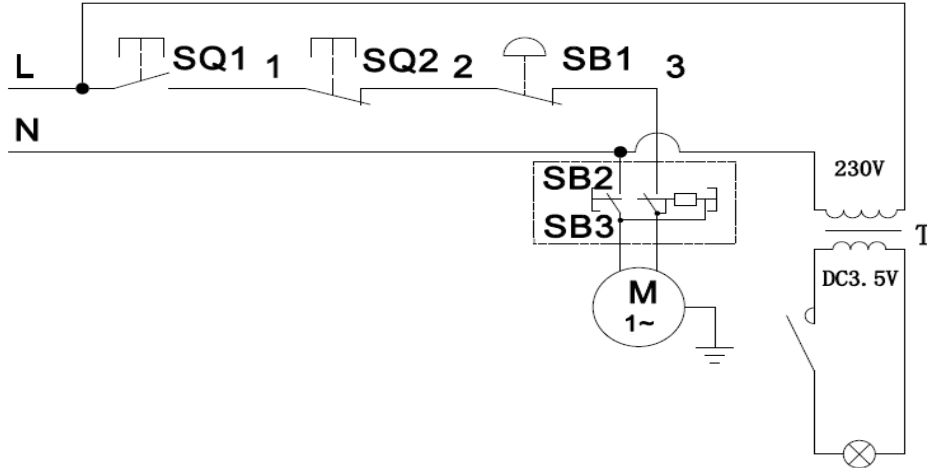
Wiring Diagram for JDP-15LM & JDP-15LT Drill Press

	colour of strands	Litzenfarben	couleur des cordons
BK	black	schwarz	noir
WH	white	weiß	blanc
BU	blue	blau	bleu
YE	yellow	gelb	jaune
RD	red	rot	rouge
BN	brown	braun	brun
GY	grey	grau	gris
GNYE	green-yellow	grün-gelb	vert-jaune
OG	orange	orange	orange
VT	violet	violett	violet

	meaning of symbol	Bedeutung der Zeichen	interprétation
M	motor	Motor	moteur
S	switch	Schalter	interrupteur
C	condenser	Kondensator	condensateur
E	electronic unit	Elektronik Einheit	unité électronique
F	fuse	Sicherung	fusible
RS	reversing switch	Drehrichtungsschalter	commu. droite/gauche
CS	centrifugal switch	Fliehkraftschalter	déclencheur centrifuge
OL	overload cut-off	Überlastschutzschalter	déclencheur surcharge
L	machine lamp	Maschinenleuchte	lampe
LS	limit switch	Positionsendschalter	micro

JDP-15LM Drill Press..... ~ 230V, 50Hz Electrical Schematic Parts List

Index No.	Part No.	Description	Size	Qty
	SB2/SB3	Electromagnetic Switch	DZ-6-2-4P/230V	1
	SB1	Emergency Stop Switch	LA115-A5-01ZS	1
	SQ1	Micro Switch	KW-7	1
	SQ2	Micro Switch	KW-7	1
	T	Transformer		1
	M	Motor		1



JDP-15LT Drill Press..... 3~ 400V, 50Hz Electrical Schematic Parts List

Index No.	Part No.	Description	Size	Qty
	YV	Electromagnetic Switch	DZ07C-12P/400V	1
	SB1	Emergency Stop Switch	LA115-A5-03ZS	1
	SB2 (YV)	Stop Button		1
	SB3(YV)	Start Button		1
	SB5	Light switch		1
	SQ1	Micro Switch	KW-7	1
	SQ2	Micro Switch	KW-7	1
	SA	Select switch	LW26-10	1
	M	Motor		1

