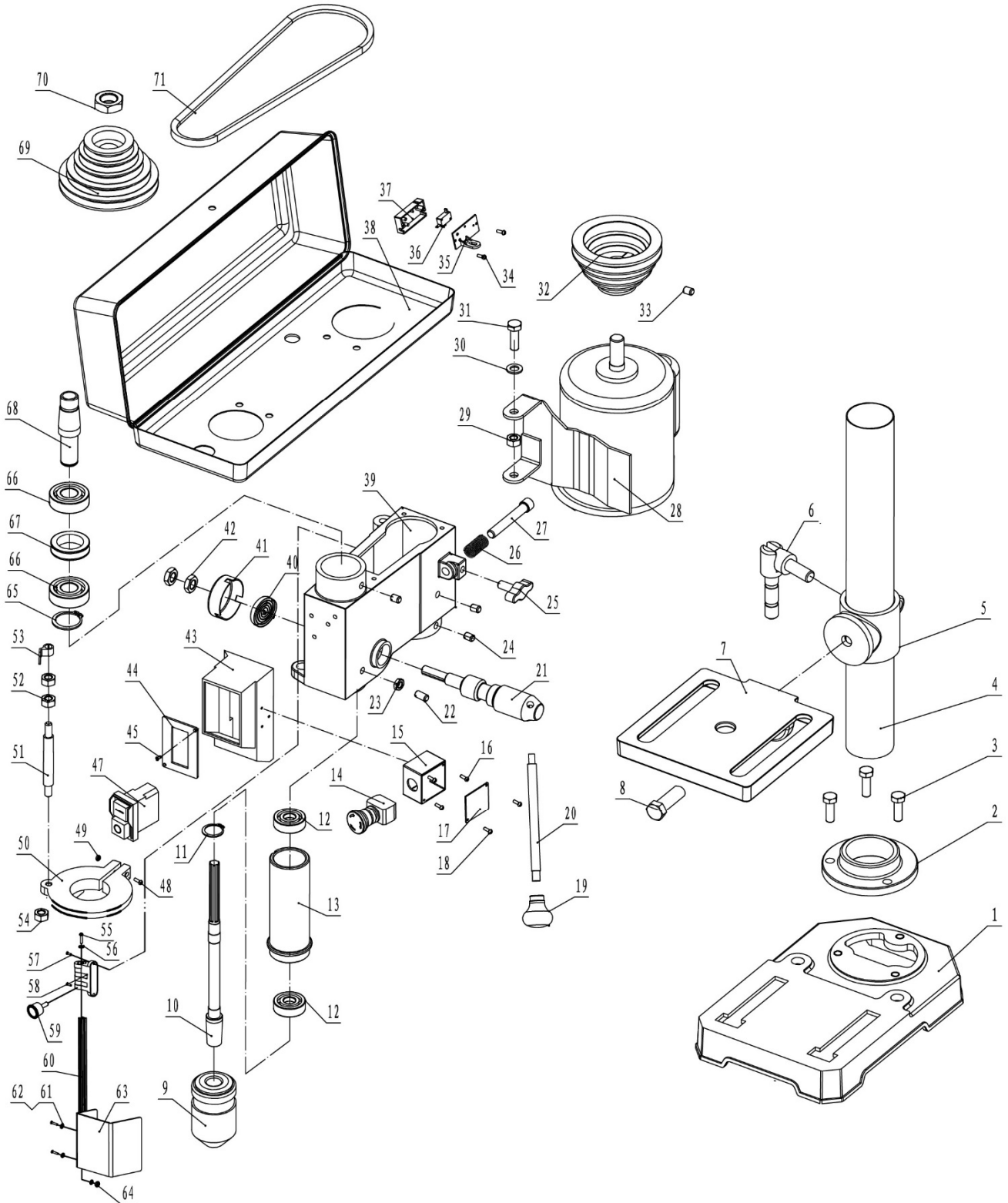


Replacement Parts

JDP-8BM Assembly Breakdown



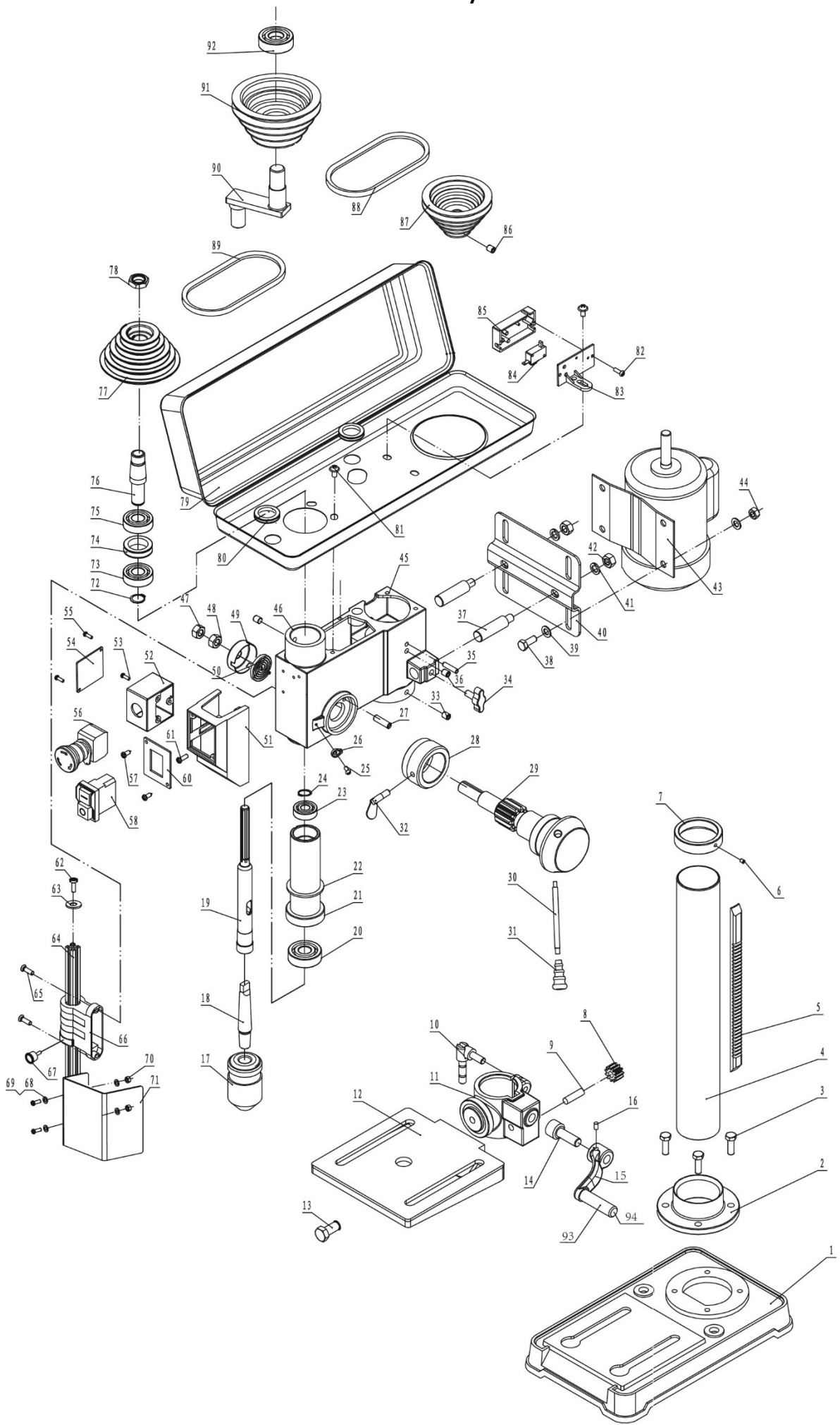
JDP-8BM Parts List for Breakdown (1/2)

Index No.	Part No.	Description	Size	Qty.
1	JDP8-001	Base		1
2	JDP8-002	Column support		1
3	JDP8-003	Hex Cap Screw	M8×20	3
4	JDP8-004	Column		1
5	JDP8-005	Support		1
6	JDP8-006	Lock handle		1
7	JDP8-007	Table		1
8	JDP8-008	Hex Cap Screw		1
9	JDP8-009	Chuck		1
10	JDP8-010	Spindle		1
11	JDP8-011	C-Clip11		1
12	BB-6201ZZ	Ball Bearing	6201ZZ	2
13	JDP8-013	Quill		1
14	JDP8-014	Emergency Stop Switch		1
15	JDP8-015	Emergency Stop Switch Box		1
16	JDP8-016	Cross Pan Head Screw	M4×12	3
17	JDP8-017	E-Stop Switch Box Cover		1
18	JDP8-018	Tapping Screw	M3.5×9	2
19	JDP8-019	Grip		3
20	JDP8-020	Handle		3
21	JDP8-021	Handle Seat		1
22	JDP8-022	Screw		1
23	JDP8-023	Nut .. M8		1
24	JDP8-024	Hex Socket Cap Screw	M8×8	3
25	JDP8-025	Locking Button		1
26	JDP8-026	support spring		1
27	JDP8-027	Tighting Pin		1
28	JDP8-028	Motor		1
29	JDP8-029	Nut-Lock	M8	2
30	JDP8-030	Washer	8	4
31	JDP8-031	Screw-Hex	M8×25	2
32	JDP8-032	Motor Pulley		1
33	JDP8-033	Hex Socket Cap Screw	M6×10	1
34	JDP8-034	Tapping Screw	M3.5×13	2
35	JDP8-035	Micro Switch Box Cover		1
36	JDP8-036	Micro Switch		1
37	JDP8-037	Micro Switch Box		1
38	JDP8-038	Pulley Cover Assy		1
39	JDP8-039	Head		1
40	JDP8-040	Coil Spring		1
41	JDP8-041	Spring Cap		1
42	JDP8-042	Nut .. 3/8" 24TPI		2
43	JDP8-043	Switch Box		1
44	JDP8-044	Switch Plate		1
45	JDP8-045	Cross Pan Head Screw	M5×12	4
47	JDP8-047	Electromagnetic Switch		1
48	JDP8-048	Cross Pan Head Screw	M6×25	1
49	JDP8-049	Nut .. M6		1
50	JDP8-050	Set Ring		1
51	JDP8-051	Scale Bolt		1
52	JDP8-052	Nut .. M10		2
53	JDP8-053	Pointer		1
54	JDP8-054	Nut .. M6		1
55	JDP8-055	Hex Socket Cap Screw	M6×8	1
56	JDP8-056	Washer	6	1
57	JDP8-057	Cross Pan Head Screw	M5×16	2
58	JDP8-058	Chuck Guard Micro Switch Assy		1

JDP-8BM Parts List for Breakdown (2/2)

Index No.	Part No.	Description	Size	Qty.
59	JDP8-059	Shifter Bolt		2
60	JDP8-060	Chuck Guard Rod		1
61	JDP8-061	Cross Pan Head Screw	M5×40	3
62	JDP8-062	Washer	5	4
63	JDP8-063	Chuck Guard		1
64	JDP8-064	Nut . M5		1
65	JDP8-065	C-Clip17		1
66	BB-6203ZZ	Bearing	6203ZZ	2
67	JDP8-067	Spacer		1
68	JDP8-068	Driving Sleeve		1
69	JDP8-069	Spindle Pulley		1
70	JDP8-070	Pulley Set nut		1
71	JDP8-071	V-Belt		1
	JDP8-072	Tilt Scale (Not show)		1
	JDP8-073	Depth Scale (Not show)		1
	JDP8-074	Rivet (Not show)	2.5×5	2
	JDP8-075	Rubber sleeve (Not show)		1

JDP-10BM Assembly Breakdown



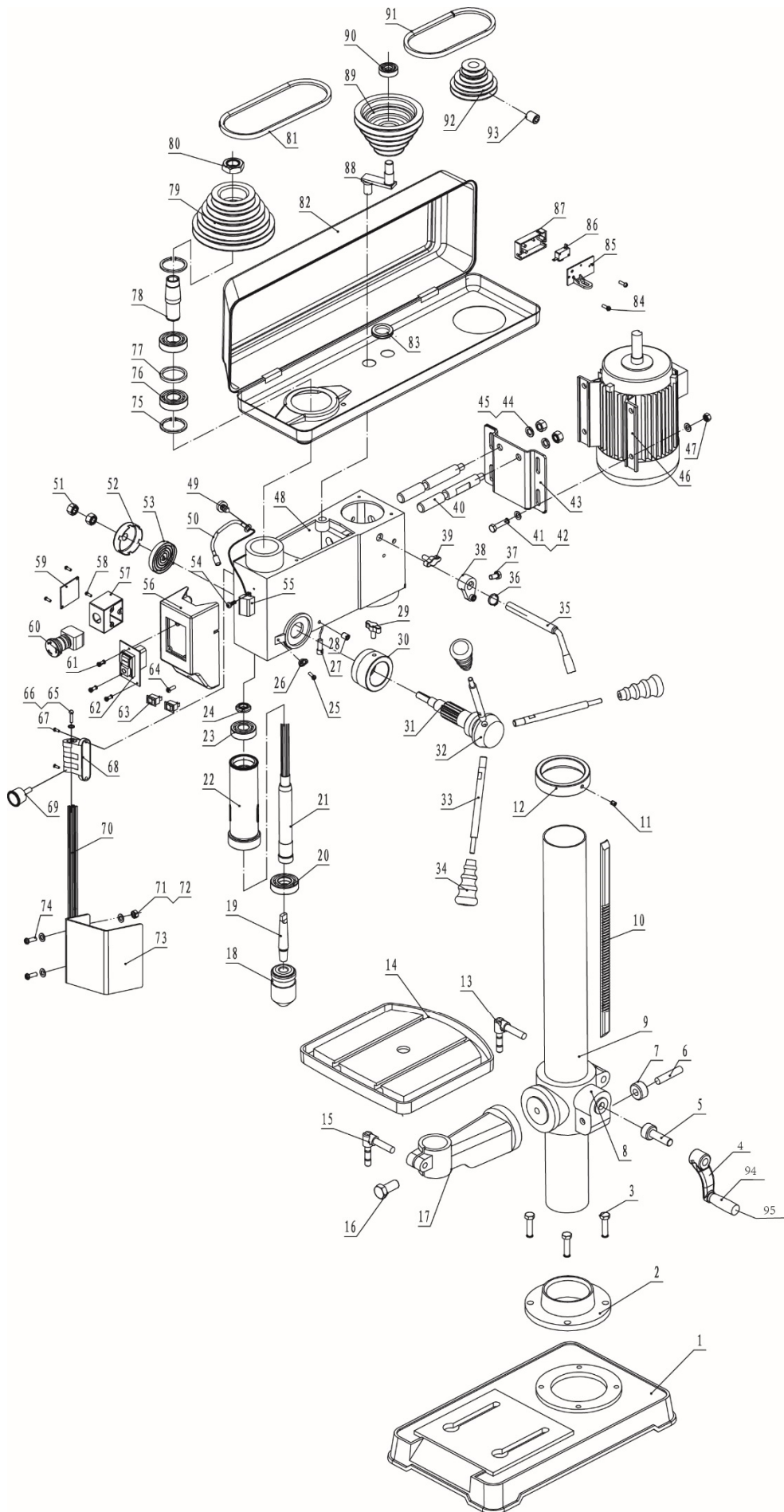
JDP-10BM Parts List for Breakdown (1/2)

Index No.	Part No.	Description	Size	Qty.
1	JDP10-001	Base		1
2	JDP10-002	Column support		1
3	JDP10-003	Hex Cap Screw	M8×20	4
4	JDP10-004	Column		1
5	JDP10-005	Rack		1
6	JDP10-006	Hex Socket Cap Screw	M6×10	1
7	JDP10-007	Rack Collar		1
8	JDP10-008	Helical Gear		1
9	JDP10-009	Gear Pin		1
10	JDP10-010	Column Lock Handle		1
11	JDP10-011	Table Support		1
12	JDP10-012	Table		1
13	JDP10-013	Hex Cap Screw	M12×25	1
14	JDP10-014	Worm Shaft		1
15	JDP10-015	Crank Arm Shaft		1
16	JDP10-016	Hex Socket Cap Screw	M6×10	1
17	JDP10-017	Chuck		1
18	JDP10-018	Arbor		1
19	JDP10-019	Spindle		1
20	BB-6204ZZ	Ball Bearing	6204ZZ	1
21	JDP10-021	Quill		1
22	JDP10-022	Rubber Washer		1
23	BB-6201ZZ	Ball Bearing	6201ZZ	1
24	JDP10-024	C-Clip		1
25	JDP10-025	Cross Pan Head Screw	M4×8	1
26	JDP10-026	Indicator		1
27	JDP10-027	Stop Screw		1
28	JDP10-028	Ring Depth Stop		1
29	JDP10-029	Pinion Shaft / Hub		1
30	JDP10-030	Handle		1
31	JDP10-031	Grip		1
32	JDP10-032	locking button		1
33	JDP10-033	Hex Socket Cap Screw	M8×8	3
34	JDP10-034	Locking Button		1
35	JDP10-035	Pin ... 6×16		1
36	JDP10-036	Hex Socket Cap Screw	M8×8	1
37	JDP10-037	Motor Rod		2
38	JDP10-038	Hex Cap Screw	M8×20	4
39	JDP10-039	Washer	8	8
40	JDP10-040	Motor Base		1
41	JDP10-041	Lock washer	10	8
42	JDP10-042	Nut .. M10		2
43	JDP10-043	Motor		1
44	JDP10-044	Nut .. M8		4
45	JDP10-045	Head		1
46	JDP10-046	Hex Socket Cap Screw	M8×8	1
47	JDP10-047	Nut ..		1
48	JDP10-048	Nut ..		1
49	JDP10-049	Spring Cap		1
50	JDP10-050	Coil Spring		1
51	JDP10-051	Switch Box		1
52	JDP10-052	Emergency stop switch box		1
53	JDP10-053	Cross Pan Head Screw	M4×12	3
54	JDP10-054	E-Stop Switch Box Cover		1
55	JDP10-055	Tapping Screw	M3.5×13	2
56	JDP10-056	Emergency Stop Switch		1

JDP-10BM Parts List for Breakdown (2/2)

Index No.	Part No.	Description	Size	Qty.
57	JDP10-057	Tapping Screw	M4.2×9	2
58	JDP10-058	Electromagnetic Switch		1
60	JDP10-060	Switch Plate		1
61	JDP10-061	Cross Pan Head Screw	M5×12	4
62	JDP10-062	Hex Socket Cap Screw	M6×8	1
63	JDP10-063	Washer	6	3
64	JDP10-064	Chuck Guard Rod		1
65	JDP10-065	Cross Pan Head Screw	M5×16	2
66	JDP10-066	Chuck Guard Micro Switch Assy		2
67	JDP10-067	Shifter Bolt		1
68	JDP10-068	Washer	5	4
69	JDP10-069	Cross Pan Head Screw	M5×40	2
70	JDP10-070	Nut . M5		2
71	JDP10-071	Chuck Guard		1
72	JDP10-072	C-Clip17		1
73	BB-6203ZZ	Ball Bearing	6203ZZ	1
74	JDP10-074	Spacer		1
75	BB-6203ZZ	Ball Bearing	6203ZZ	1
76	JDP10-076	Insert Pulley		1
77	JDP10-077	Spindle Pulley		1
78	JDP10-078	Pulley Set nut		1
79	JDP10-079	Pulley Cover Assy		2
80	JDP10-080	Strain Relief		2
81	JDP10-081	Pan Head Screw	M6×12	4
82	JDP10-082	Tapping Screw	M3.5×13	2
83	JDP10-083	Micro Switch Box Cover		1
84	JDP10-084	Micro Switch		1
85	JDP10-085	Micro Switch Box		1
86	JDP10-086	Hex Socket Cap Screw	M6×10	1
87	JDP10-087	Motor Pulley		1
88	JDP10-088	V-Belt	M-20	1
89	JDP10-089	V-Belt	M-20	1
90	JDP10-090	Center Pulley Shaft		1
91	JDP10-091	Center Pulley		1
92	JDP10-092	Ball Bearing	6203ZZ	1
93	JDP10-093	Crank Arm Handle Grip		1
94	JDP10-094	Crank Arm Handle Shaft		1
	JDP10-095	Scale Indicator (Not show)		1
	JDP10-096	Rivet (Not show)	2.5×5	5
	JDP10-097	Tilt Scale (Not show)		1
	JDP10-098	Depth Scale (Not show)		1
	JDP10-099	Rubber sleeve (Not show)		1
	JDP10-100	Rubber sleeve (Not show)		1

JDP-13FM Assembly Breakdown



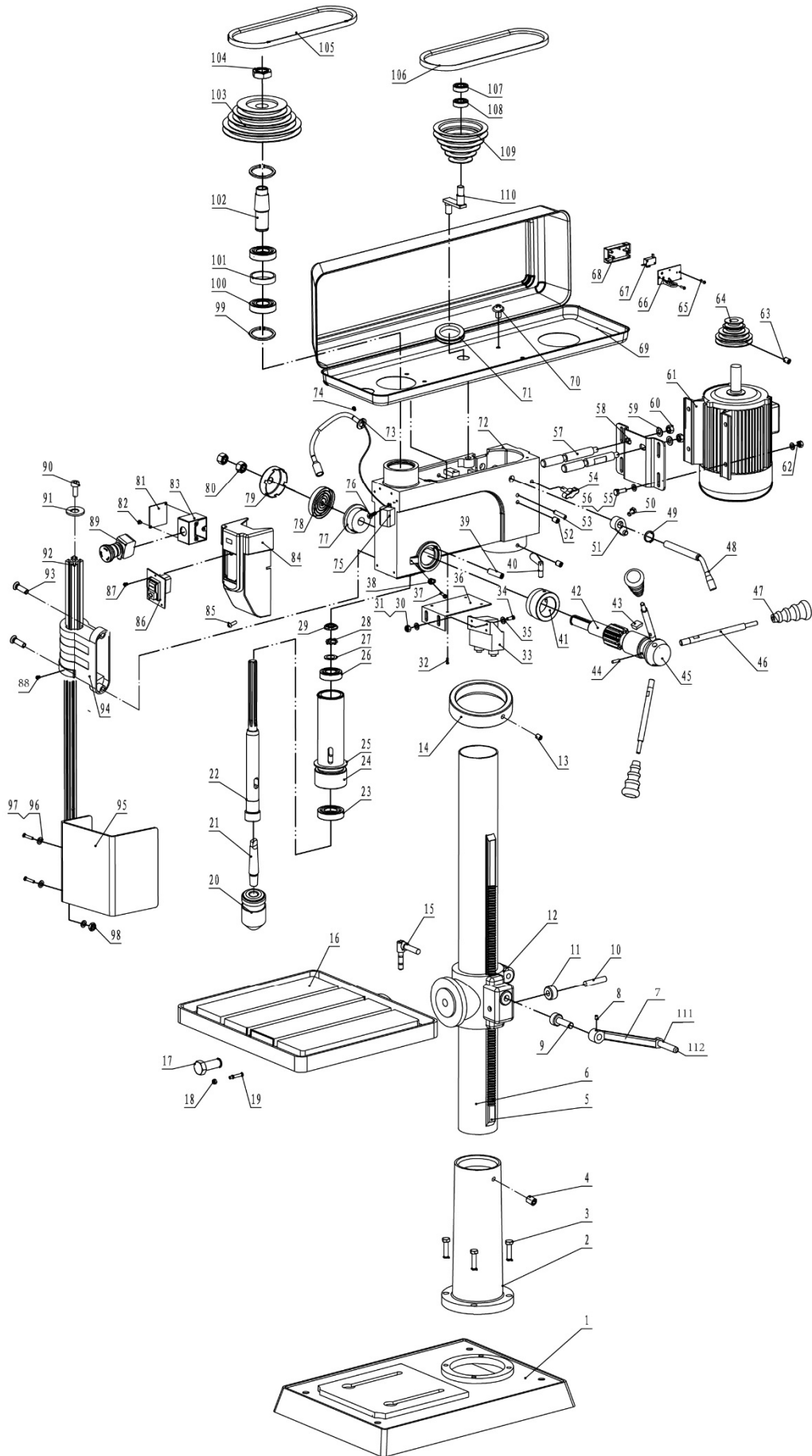
JDP-13FM Parts List for Breakdown (1/2)

Index No.	Part No.	Description	Size	Qty.
1	JDP13-001	Base		1
2	JDP13-002	Column support		1
3	JDP13-003	Hex Cap Screw	M10×40	4
4	JDP13-004	Crank Arm Shaft		1
5	JDP13-005	Worm Shaft		1
6	JDP13-006	Gear Pin		1
7	JDP13-007	Helical Gear		1
8	JDP13-008	Table Support		1
9	JDP13-009	Column		1
10	JDP13-010	Rack		1
11	JDP13-011	Socket Set Screw	M6×10	1
12	JDP13-012	Rack Collar		1
13	JDP13-013	Column Lock Handle		1
14	JDP13-014	Table		1
15	JDP13-015	Table Lock Handle		1
16	JDP13-016	Hex Cap Screw	M16×35	1
17	JDP13-017	Table Bracket		1
18	JDP13-018	Chuck		1
19	JDP13-019	Arbor		1
20	BB-6204ZZ	Ball Bearing	6204ZZ	1
21	JDP13-021	Spindle		1
22	JDP13-022	Quill		1
23	JDP13-023	Ball Bearing		1
24	JDP13-024	C-Clip11		1
25	JDP13-025	Cross Pan Head Screw	M4×8	1
26	JDP13-026	Indicator		1
27	JDP13-027	Laser		2
28	JDP13-028	Socket Set Screw		2
29	JDP13-029	Locking Button		1
30	JDP13-030	Ring Depth Stop		1
31	JDP13-031	Pinion Shaft		1
32	JDP13-032	Hub		1
33	JDP13-033	Handle		3
34	JDP13-034	Grip		3
35	JDP13-035	Handle Shifter		1
36	JDP13-036	C-Clip15		1
37	JDP13-037	Hex Cap Screw	M8×16	1
38	JDP13-038	Shift Fork		1
39	JDP13-039	Locking Button		1
40	JDP13-040	Motor Rod		2
41	JDP13-041	Hex Cap Screw	M8×25	4
42	JDP13-042	Flat Washer	8	8
43	JDP13-043	Motor Base		1
44	JDP13-044	Nut . M12		2
45	JDP13-045	Lock Washer	8	4
46	JDP13-046	Motor		1
47	JDP13-047	Nut . M8		4
48	JDP13-048	Head		1
49	JDP13-049	Cross Recessed Pan Head Screw		1
50	JDP13-050	LED Light		1
51	JDP13-051	Nut . M12		1
52	JDP13-052	Spring Cap		1
53	JDP13-053	Coil Spring		1
54	JDP13-054	Cross Pan Head Screw	M4×12	1
55	JDP13-055	Transformer		1
56	JDP13-056	Switch Box		1

JDP-13FM Parts List for Breakdown (2/2)

Index No.	Part No.	Description	Size	Qty.
57	JDP13-057	Emergency Stop Switch Box		1
58	JDP13-058	Cross Pan Head Screw	M4×12	2
59	JDP13-059	E-Stop Switch Box Lid		1
60	JDP13-060	Emergency Stop Switch		1
61	JDP13-061	Tapping Screw	M3.5×9	1
62	JDP13-062	Electromagnetic Switch		1
63	JDP13-063	Switch For Laser And LED Light		2
64	JDP13-064	Cross Pan Head Screw	M5×12	3
65	JDP13-065	Hex Socket Cap Screw	M6×8	1
66	JDP13-066	Washer	6	1
67	JDP13-067	Cross Pan Head Screw	M5×16	1
68	JDP13-068	Chuck Guard Micro Switch Assy		1
69	JDP13-069	Shifter Bolt		1
70	JDP13-070	Chuck Guard Rod		1
71	JDP13-071	Washer	5	4
72	JDP13-072	Nut . M5		2
73	JDP13-073	Chuck Guard		1
74	JDP13-074	Cross Pan Head Screw	M5×25	2
75	JDP13-075	C-Clip17		1
76	BB-6203ZZ	Ball Bearing	6203ZZ	2
77	JDP13-077	Spacer		1
78	JDP13-078	Driving Sleeve		1
79	JDP13-079	Spindle Pulley		1
80	JDP13-080	Pulley Set nut		1
81	JDP13-081	V-Belt	M-24	1
82	JDP13-082	Pulley Cover Assy		1
83	JDP13-083	Strain Relief		1
84	JDP13-084	Tapping Screw	M3.5×13	2
85	JDP13-085	Micro Switch Box Cover		1
86	JDP13-086	Micro Switch		1
87	JDP13-087	Micro Switch Box		1
88	JDP13-088	Center Pulley Shaft		1
89	JDP13-089	Center Pulley		1
90	BB-6202ZZ	Ball Bearing	6202ZZ	1
91	JDP13-091	V-Belt	M-24	1
92	JDP13-092	Motor Pulley		1
93	JDP13-093	Hex Socket Cap Screw	M10×12	1
94	JDP13-094	Crank Arm Handle Grip		1
95	JDP13-095	Crank Arm Handle Shaft		1
	JDP13-096	Scale Indicator (Not show)		1
	JDP13-097	Rivet (Not show)	2.5×5	5
	JDP13-098	Tilt Scale (Not show)		1
	JDP13-099	Depth Scale (Not show)		1
	JDP13-100	Rubber sleeve (Not show)		1
	JDP13-101	Rubber sleeve (Not show)		1

JDP-20FT Assembly Breakdown



JDP-20FT Parts List for Breakdown (1/3)

Index No.	Part No.	Description	Size	Qty.
1	JDP20-001	Base		1
2	JDP20-002	Column Support		1
3	JDP20-003	Hex Cap Screw	M12×40	4
4	JDP20-004	Socket Set Screw	M10×12	1
5	JDP20-005	Rack		1
6	JDP20-006	Column		1
7	JDP20-007	Crank Arm Shaft		1
8	JDP20-008	Socket Set Screw	M6×10	1
9	JDP20-009	Worm Shaft		1
10	JDP20-010	Gear Pin		1
11	JDP20-011	Helical Gear		1
12	JDP20-012	Table Support		1
13	JDP20-013	Socket Set Screw	M6×10	1
14	JDP20-014	Rack Collar		1
15	JDP20-015	Lock Handle		1
16	JDP20-016	Table		1
17	JDP20-017	Hex Cap Screw	M20×50	1
18	JDP20-018	Nut . M8		1
19	JDP20-019	Pin		1
20	JDP13-018	Keyless Chuck		1
21	JDP20-021	Arbor		1
22	JDP20-022	Spindle		1
23	BB-6207ZZ	Bearing	6207ZZ	1
24	JDP20-024	Quill		1
25	JDP20-025	Rubber Washer		1
26	BB-6204ZZ	Bearing	6204ZZ	1
27	JDP20-027	Washer		1
28	JDP20-028	Locking Ring		1
29	JDP20-029	Locking Nut	M20	1
30	JDP20-030	Nut . M5		2
31	JDP20-031	Flat Washer	5	2
32	JDP20-032	Cross Pan Head Screw	M4×16	1
33	JDP20-033	Laser		1
34	JDP20-034	Cross Pan Head Screw	M5×16	1
35	JDP20-035	Flat Washer	5	2
36	JDP20-036	Connector		1
37	JDP20-037	Cross Pan Head Screw	M4×8	1
38	JDP20-038	Indicator		1
39	JDP20-039	Stop Screw		1
40	JDP20-040	Locking Button		1
41	JDP20-041	Ring Depth Stop		1
42	JDP20-042	Pinion Shaft		1
43	JDP20-043	Gib		1
44	JDP20-044	Pin . 5×16		1
45	JDP20-045	Hub		1
46	JDP20-046	Handle		3
47	JDP20-047	Grip		3
48	JDP20-048	Handle Shifter		1
49	JDP20-049	C-Clip15		3
50	JDP20-050	Hex Cap Screw	M8x16	3
51	JDP20-051	Shift fork		1
52	JDP20-052	Hex Socket Cap Screw	M10x12	2
53	JDP20-053	Pin . 8×25		2
54	JDP20-054	Shifter Bolt		2
55	JDP20-055	Hex Cap Screw	M8x25	4
56	JDP20-056	Washer	8	8

JDP-20FT Parts List for Breakdown (2/3)

Index No.	Part No.	Description	Size	Qty.
57	JDP20-057	Motor Rod		2
58	JDP20-058	Motor Base		1
59	JDP20-059	Lock Washer	12	2
60	JDP20-060	Nut .. M12		2
61	JDP20-061	Motor		1
62	JDP20-062	Nut .. M8		4
63	JDP20-063	Socket Set Screw	M8x12	1
64	JDP20-064	Motor Pulley		1
65	JDP20-065	Tapping Screw	M3.5x13	2
66	JDP20-066	Micro Switch Box Cover		1
67	JDP20-067	Micro Switch		1
68	JDP20-068	Micro Switch Box		1
69	JDP20-069	Pulley Cover Assy		1
70	JDP20-070	Pan Head Screw	M6x12	1
71	JDP20-071	Strain Relief		1
72	JDP20-072	Head		1
73	JDP20-073	LED Light		1
74	JDP20-074	Screw		4
75	JDP20-075	Transformer		1
76	JDP20-076	Cross Pan Head Screw	M4x8	1
77	JDP20-077	Spring Seat		1
78	JDP20-078	Coil Spring		1
79	JDP20-079	Spring Cap		1
80	JDP20-080	Nut .. M12		2
81	JDP20-081	E-Stop Switch Box Cover		1
82	JDP20-082	Cross Pan Head Screw	M4x12	2
83	JDP20-083	Emergency Stop Switch Box		1
84	JDP20-084	Switch Box		1
85	JDP20-085	Cross Pan Head Screw	M5x16	2
86	JDP20-086	Electromagnetic Switch		1
87	JDP20-087	Tapping Screw	M4.2x9	2
88	JDP20-088	Shifter Bolt		1
89	JDP20-089	Emergency Stop Switch		1
90	JDP20-090	Hex Socket Cap Screw	M6x8	1
91	JDP20-091	Washer	6	1
92	JDP20-092	Chuck Guard Rod		1
93	JDP20-093	Cross Pan Head Screw	M5x16	4
94	JDP20-094	Chuck Guard Micro Switch Assy		1
95	JDP20-095	Chuck Guard		1
96	JDP20-096	Washer	5	4
97	JDP20-097	Cross Pan Head Screw	M5x25	2
98	JDP20-098	Nut .. M5		2
99	JDP20-099	Retaining Ring		1
100	BB-6203ZZ	Ball Bearing	6203ZZ	2
101	JDP20-101	Spacer		1
102	JDP20-102	Driving Sleeve		1
103	JDP20-103	Spindle Pulley		1
104	JDP20-104	Pulley Set nut		1
105	JDP20-105	V-Belt	A-29	1
106	JDP20-106	V-Belt	A-33	1
107	BB-6202ZZ	Ball Bearing	6202ZZ	2
109	JDP20-109	Center Pulley		1
110	JDP20-110	Center Pulley Shaft		1
111	JDP20-111	Crank Arm Handle Grip		1
112	JDP20-112	Crank Arm Handle Shaft		1
	JDP20-113	Scale Indicator (Not show)		1
	JDP20-114	Rivet (Not show)	2.5x5	5

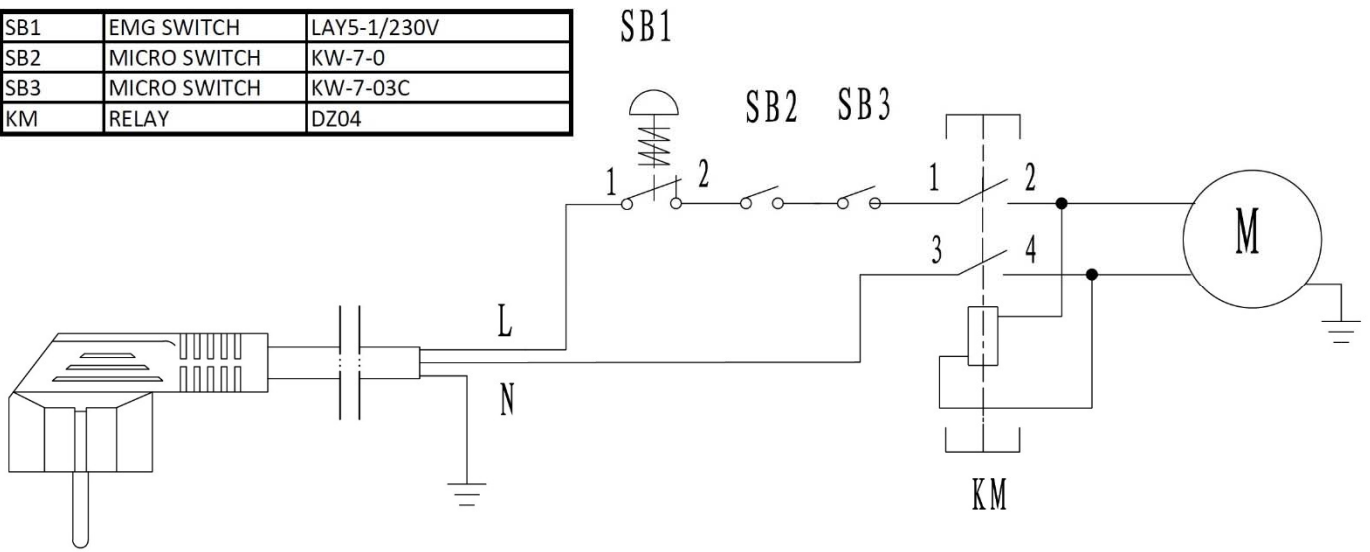
JDP-20FT Parts List for Breakdown (3/3)

Index No.	Part No.	Description	Size	Qty.
.....	JDP20-115.....	Tilt Scale (Not show)		1
.....	JDP20-116.....	Depth Scale (Not show).....		1
.....	JDP20-117.....	Rubber sleeve (Not show).....		1

Wiring Diagrams

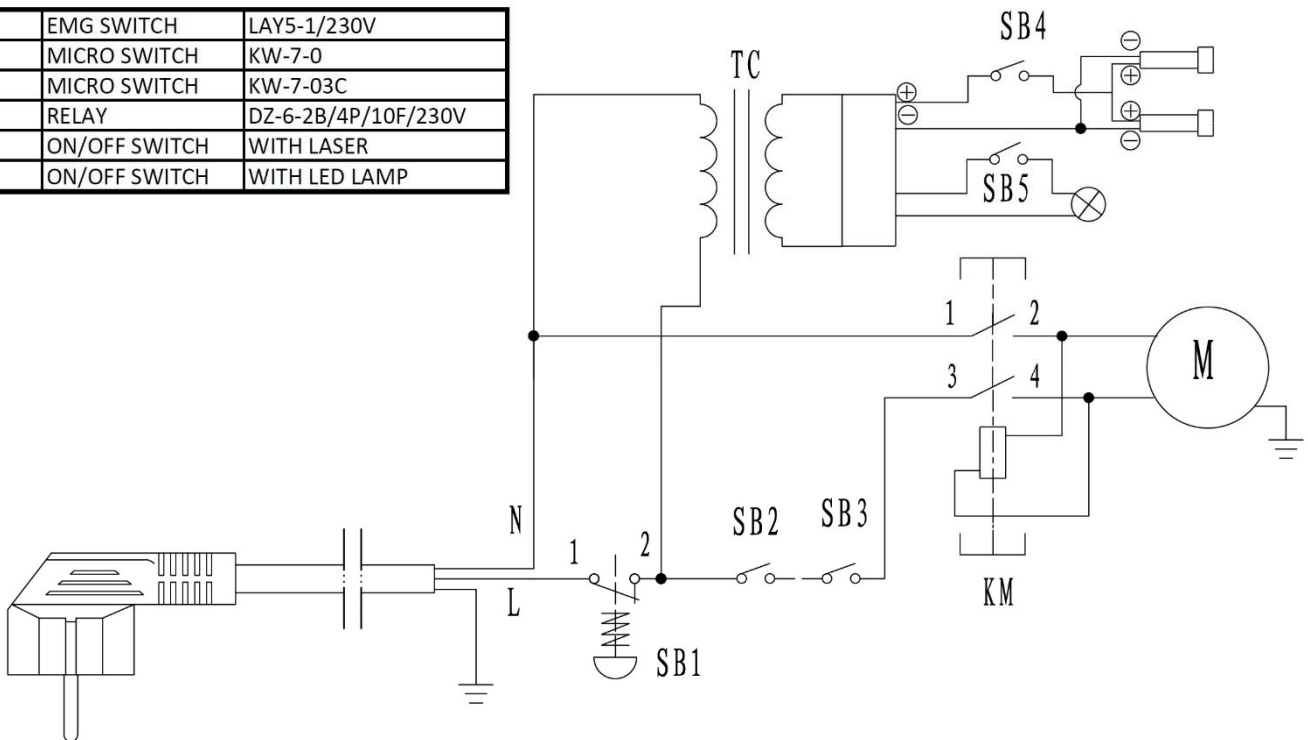
JDP-8BM, JDP-10BM1~230V, PE, 50Hz

SB1	EMG SWITCH	LAY5-1/230V
SB2	MICRO SWITCH	KW-7-0
SB3	MICRO SWITCH	KW-7-03C
KM	RELAY	DZ04

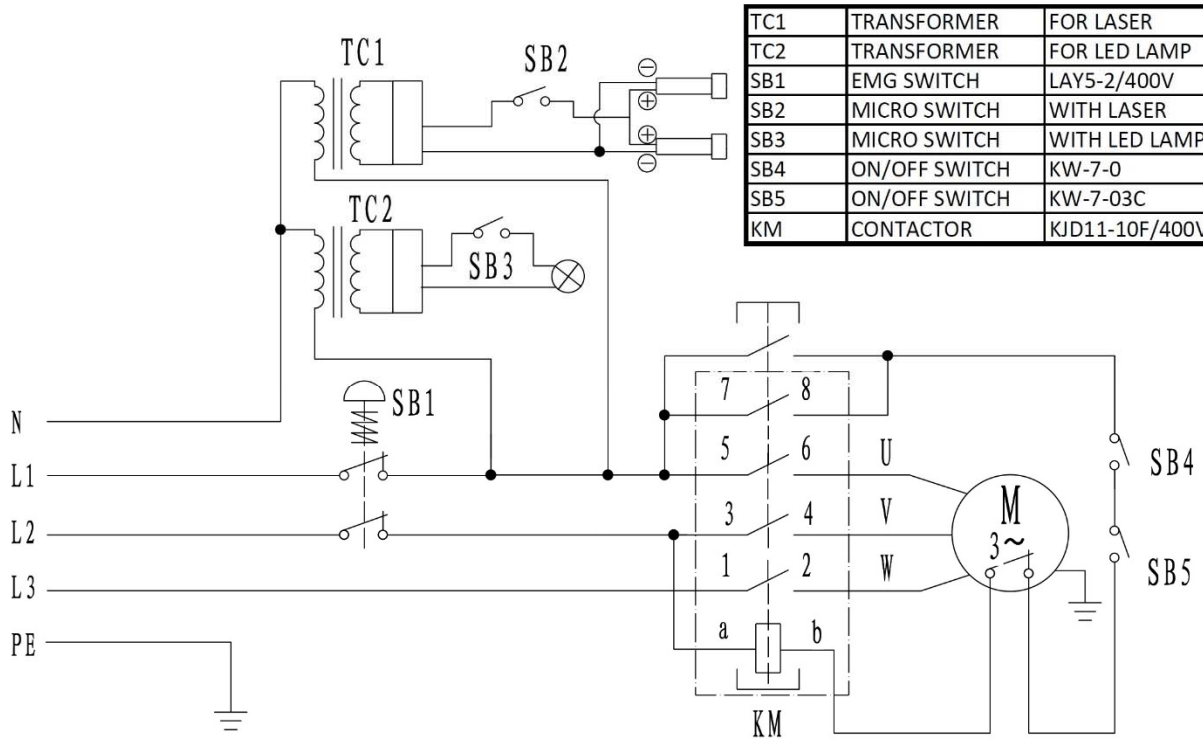


JDP-13FM1~230V, PE, 50Hz

SB1	EMG SWITCH	LAY5-1/230V
SB2	MICRO SWITCH	KW-7-0
SB3	MICRO SWITCH	KW-7-03C
KM	RELAY	DZ-6-2B/4P/10F/230V
SB4	ON/OFF SWITCH	WITH LASER
SB5	ON/OFF SWITCH	WITH LED LAMP



JDP-20FT3~400V, PE, 50Hz



TC1	TRANSFORMER	FOR LASER
TC2	TRANSFORMER	FOR LED LAMP
SB1	EMG SWITCH	LAY5-2/400V
SB2	MICRO SWITCH	WITH LASER
SB3	MICRO SWITCH	WITH LED LAMP
SB4	ON/OFF SWITCH	KW-7-0
SB5	ON/OFF SWITCH	KW-7-03C
KM	CONTACTOR	KJD11-10F/400V